



## **Rheology Solutions**

*Rheology Solutions is the sole Australian distributor of this product range and we welcome the opportunity of discussing your application requirements.*

*We hope the information you are seeking is contained within this file.  
If you have any questions, or require further information please contact us.  
We look forward to being of further service.*

*Regards from the Team at Rheology Solutions.*

**RHEOLOGY SOLUTIONS PTY LTD.** ACN 082 479 632

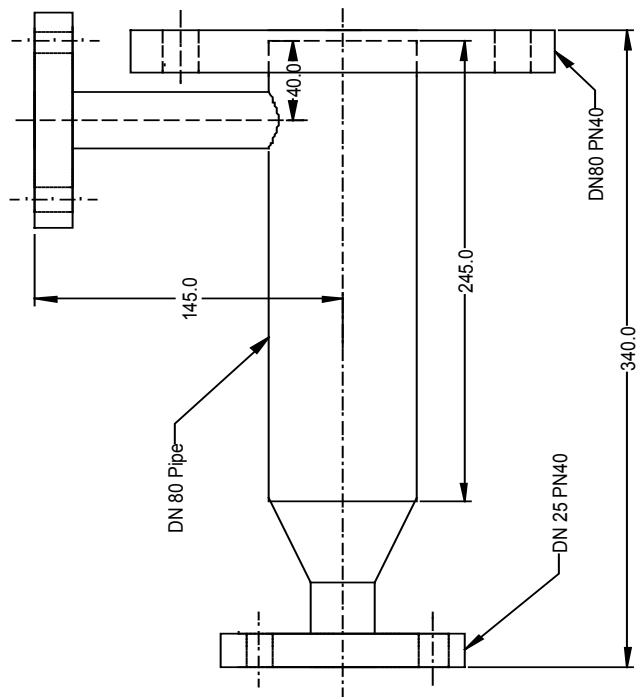
**HEAD OFFICE:** 15-19 Hillside Street, Bacchus Marsh, Victoria 3340 Australia. PO Box 754, Bacchus Marsh, Victoria 3340 Australia.

**Telephone:** +61 3 5367 7477 **Facsimile:** +61 3 5367 6477 **Email:** [info@rheologysolutions.com](mailto:info@rheologysolutions.com) **Website:** [www.rheologysolutions.com](http://www.rheologysolutions.com)

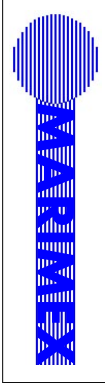
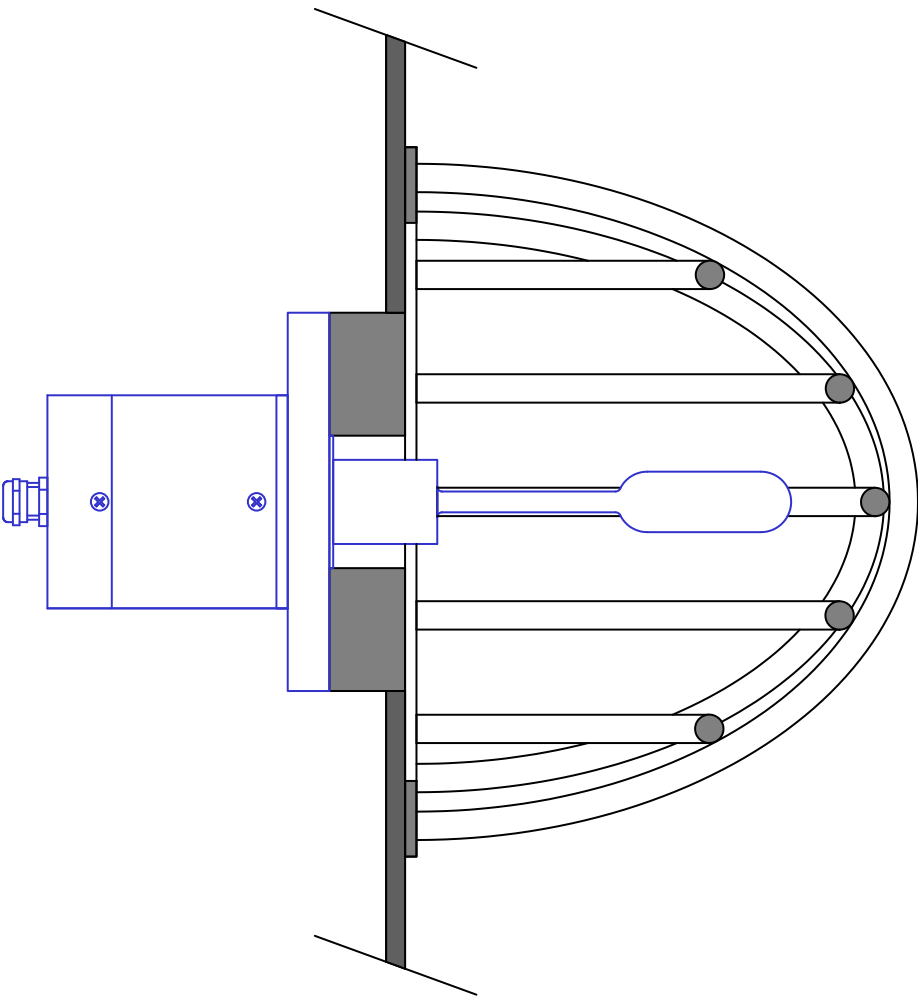
## Accessories

If the pipe diameter is too small, to mount a sensor directly, a sample cell is recommended. The volume of the sample cell can be adapted to the speed of flow required by the process.

In some installations, the potential of mechanical damage to the sensor exists. In those instances it is necessary to protect the sensor. Marimex can provide drawings or can deliver complete assemblies required for sensor protection.



# Protective cage



This drawing is proprietary property of Marimex Industries. It is not to be divulged to a third party. This drawing shall not be copied mechanically or otherwise without the written consent of Marimex Industries.

Comments:		Scale: Not to Scale	
Dimensions in mm (inch)			
Revised by:			
Checked by:			
Drafted by:	DMB	2003/02/16	

**MARIMEX Industries**  
 1524 Chardonnay Place  
 Westbank, BC V4T 2P9  
 Canada  
 Tel.: +1-250-707-5871  
 Fax: +1-604-808-3233

Aeglestrasse 60  
 46228 Bittrop  
 Germany  
 Tel.: +49-2041-720 111  
 Fax: +49-2041-720 112

Title	
ViscoSope	
Protective Cage	
Drawing Number	INST Protective Cage 001